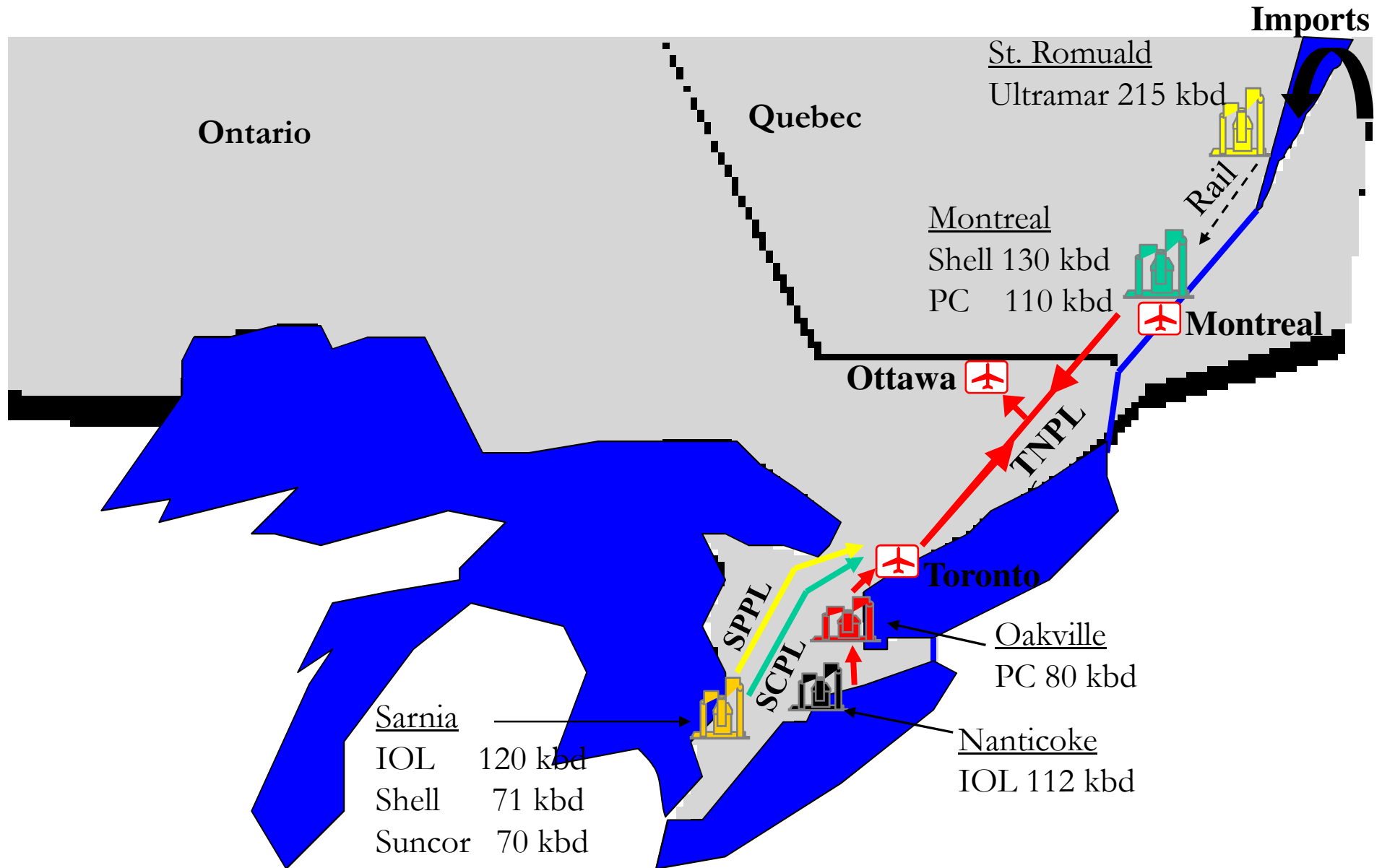
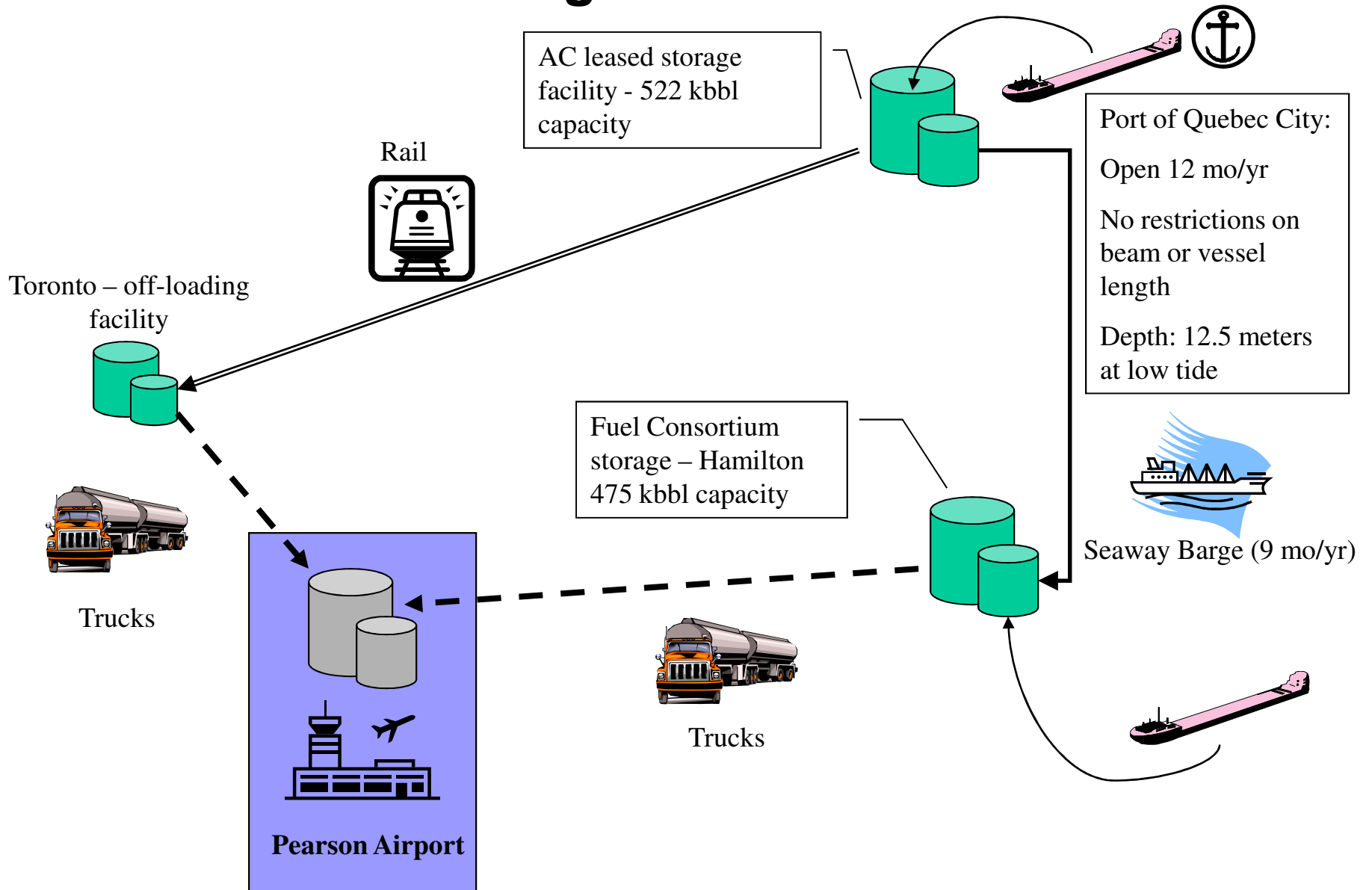


# SOUTHERN ONTARIO & QUEBEC (Current)

## Refining Centers & Supply Chain

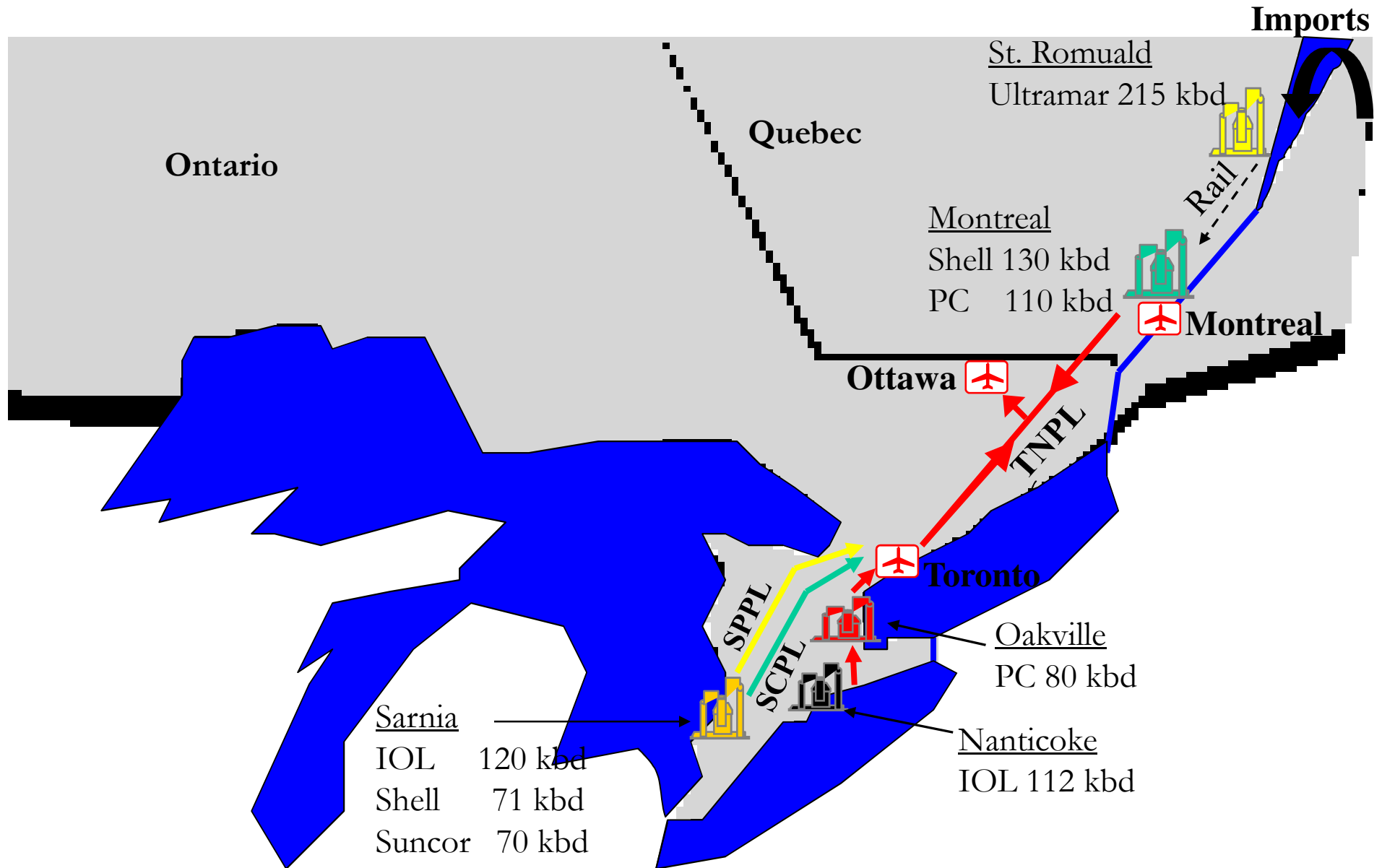


# Toronto Airport – Air Canada Import Logistics



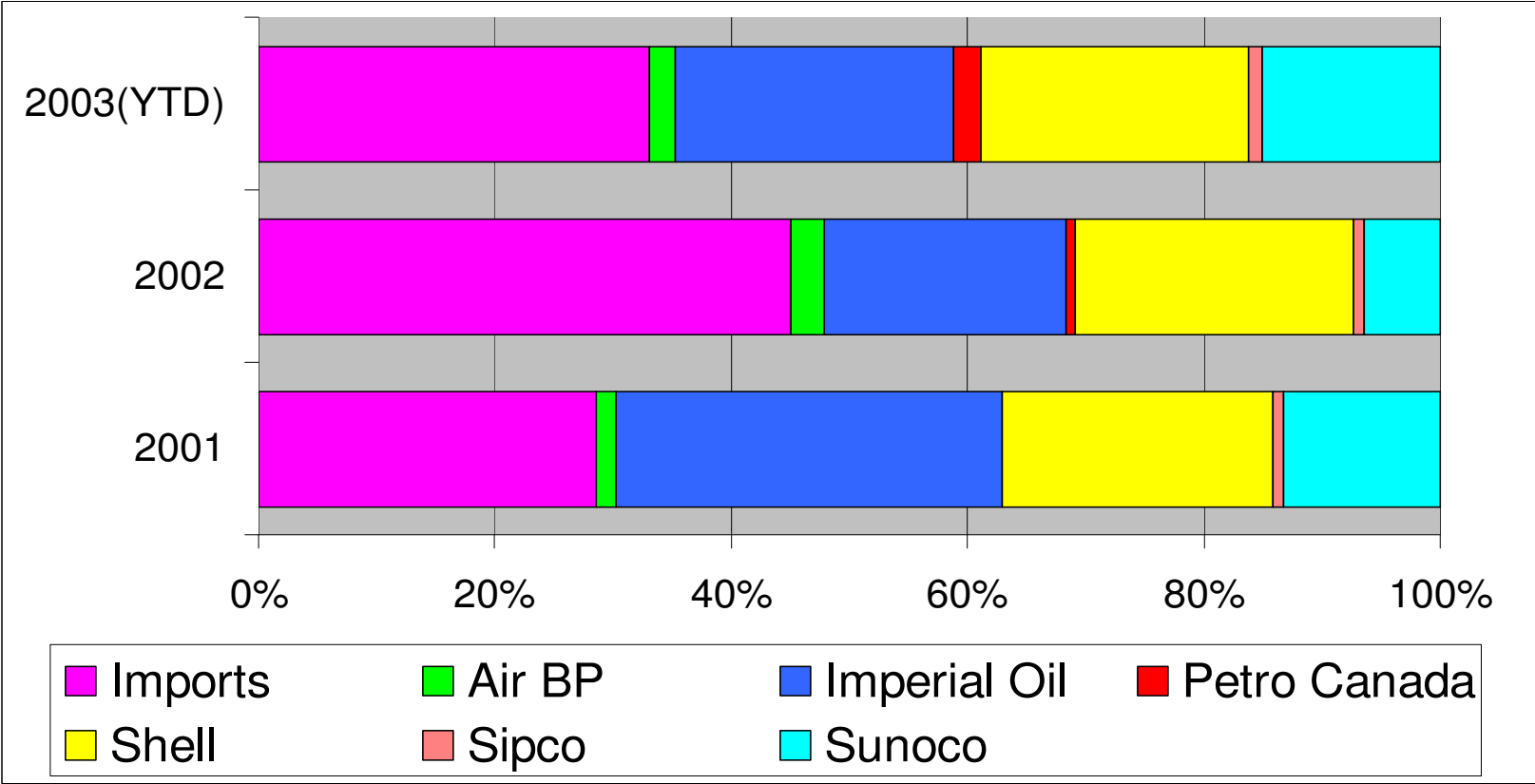
# SOUTHERN ONTARIO & QUEBEC (Current)

## Refining Centers & Supply Chain

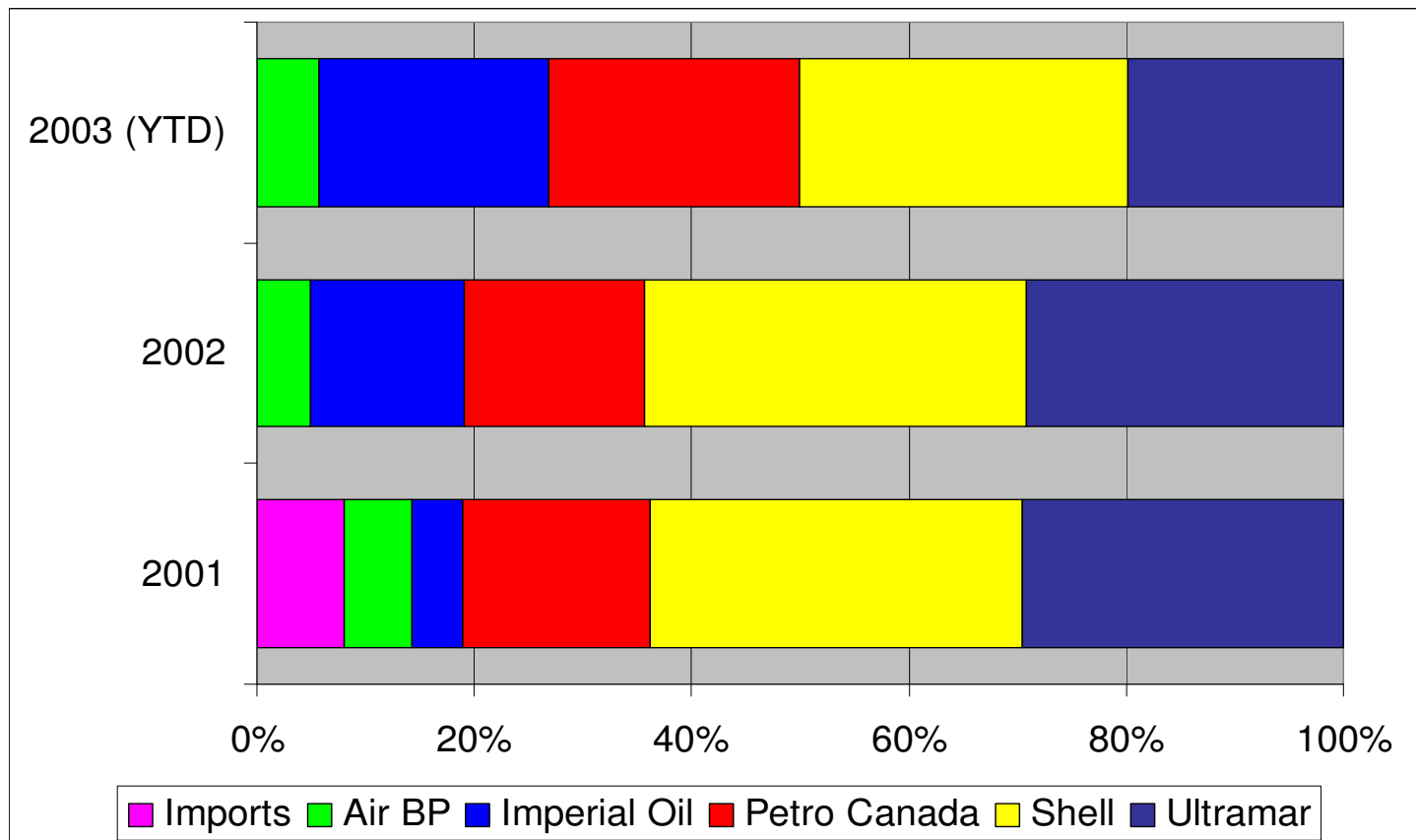


*Fuel Supplier Volume Breakdown At Toronto & Montreal  
Airports*

# Toronto Airport Fuel Supplier Volume Breakdown

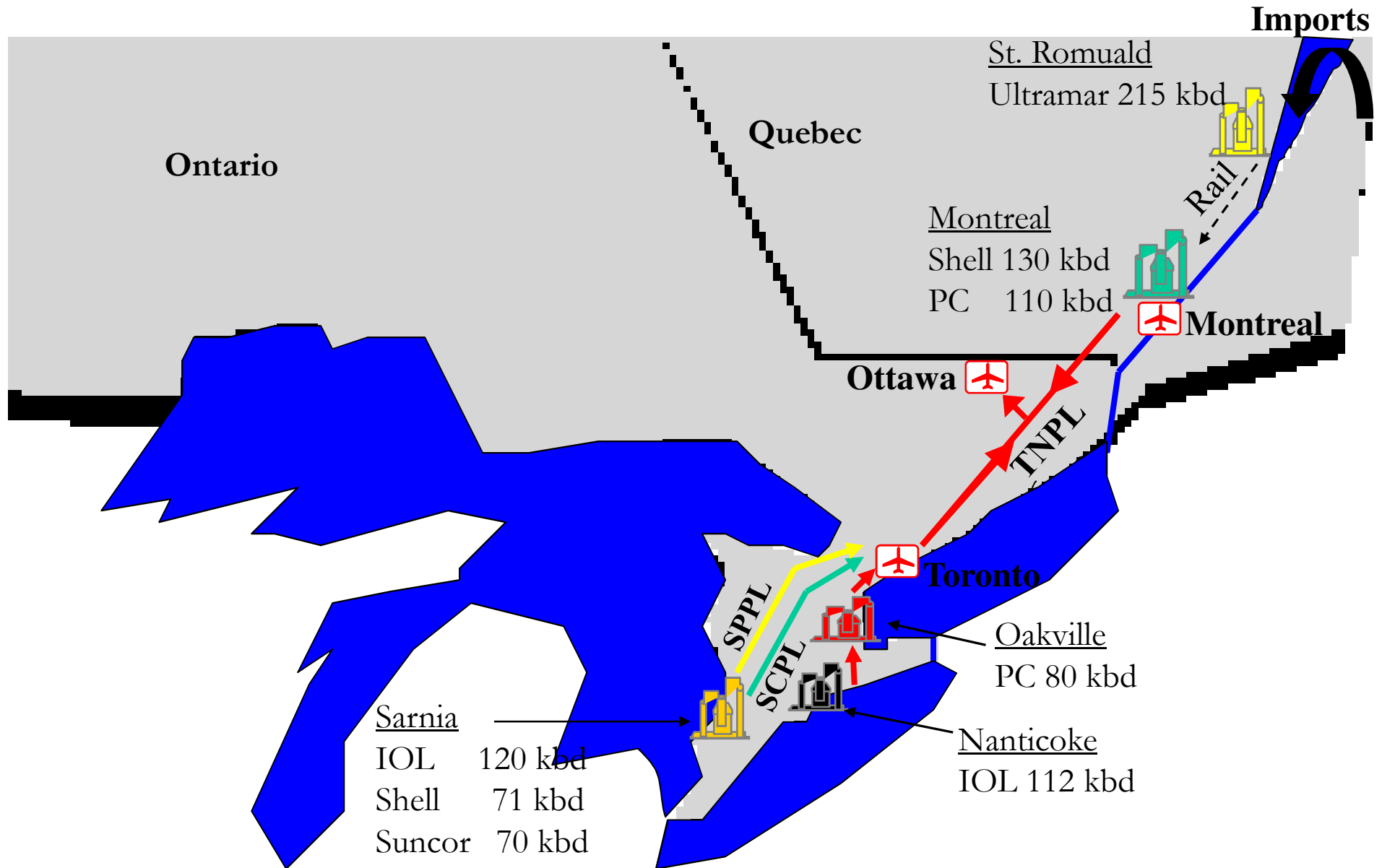


# Montreal Airport Fuel Supplier Volume Breakdown



# SOUTHERN ONTARIO & QUEBEC (Current)

## Refining Centers & Supply Chain



# SOUTHERN ONTARIO & QUEBEC (2005)

## Refining Centers & Supply Chain

